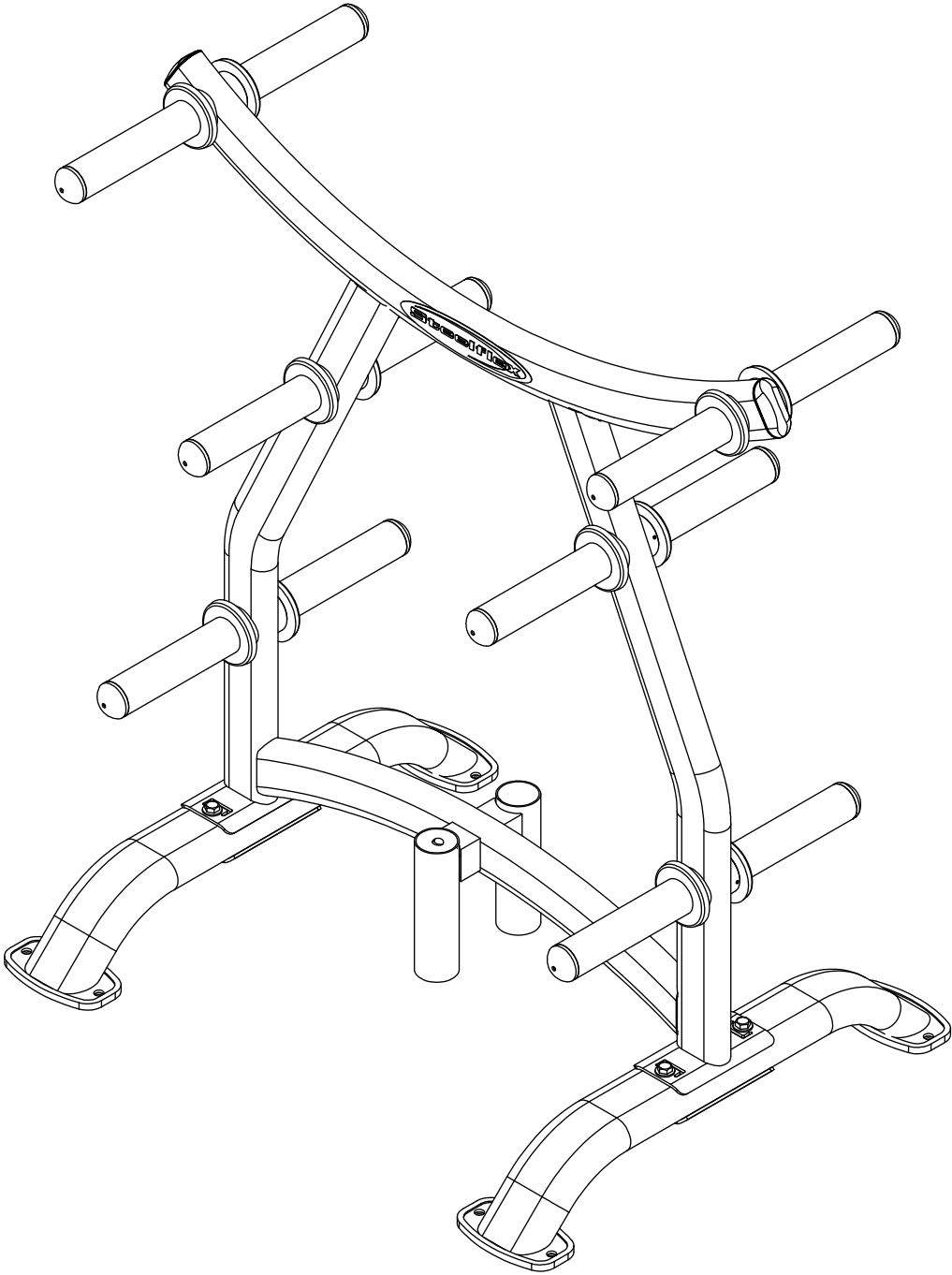


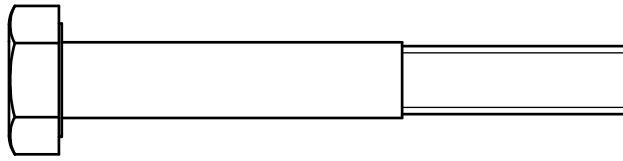
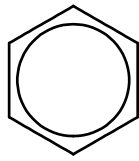


*NTR.5*



Assembly & Instructions  
**OWNER'S & MANUAL**

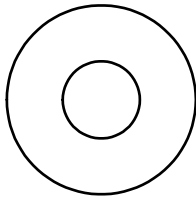
# NTR.5 Hardware Illustration Sheet



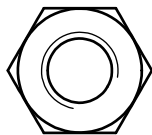
A1. M10x75L Hex Head Bolt Qty. 4



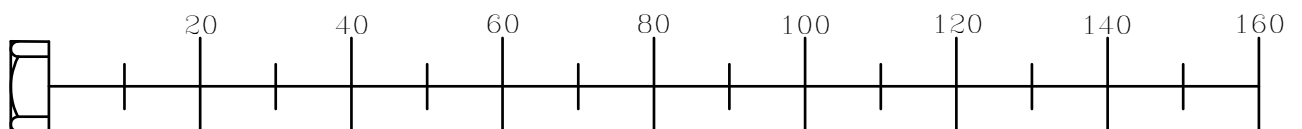
A2.M5X5L Socket Head Cap Screw (Pre-installed) Qty.12



C1.M10 Washer (Ø28) Qty.8

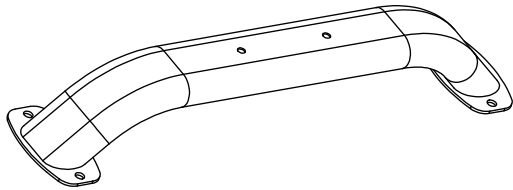


B1. M10 Nylon Lock Nut Qty. 4

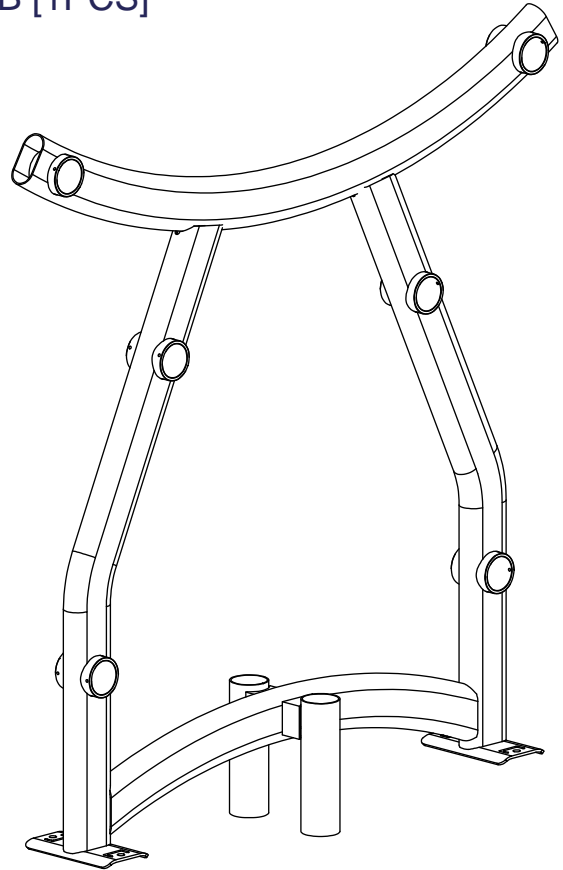


# NTR.5 Parts Illustration Sheet

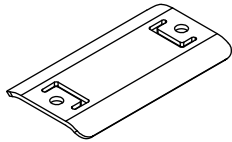
A [2PCS]



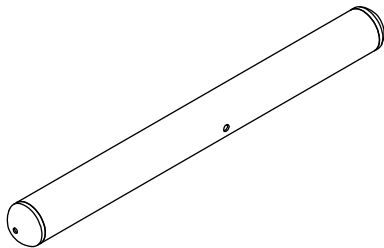
B [1PCS]



C [2PCS]  
(8323-234)



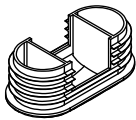
D [6PCS]



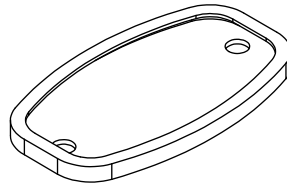
# NTR.5 Parts Illustration Sheet

- D3.40X80 Round End Cap(9211-191).....[2PCS]
- D4.Rubber Pad (9310-076).....[4PCS]
- D5.Ø90X10T Rubber Dount (9310-016).....[12PCS]

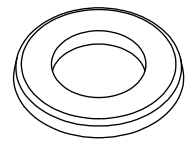
D3



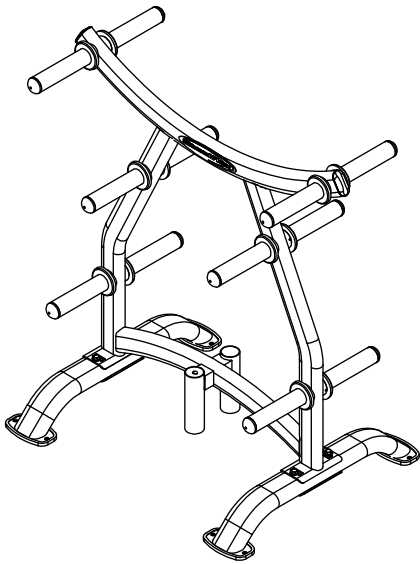
D4



D5



STEP  
1



Above shows STEP assembled and completed

